



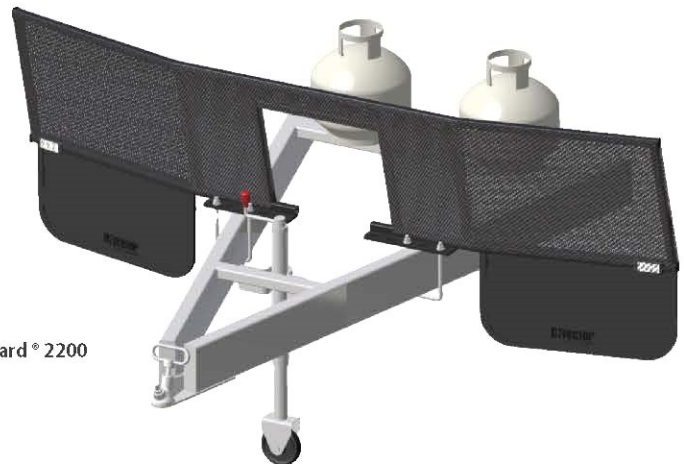
D-FLECTOR® CARAVAN STONE GUARDS



Part No. #	Description	Barcode
DSG001 - B - DF	<p>Caravan Standard D-Flector Stone Guard®</p> <p>Width : 2200mm Height : 500 mm Thickness : 25mm (Includes D-Flector Heavy Duty 24"x13" - 8mm Mudflaps)</p> <p>Carton Pack : 2240 x 600 x 80 15 Kg Net 18 Kg Gross</p> <p>Service Parts :</p> <p>D-Flector Heavy Mudflap PN# MFP008-A Heavy Duty Mesh Cover PN# CVR001-B</p>	9333539025084
DSG003 - B - DF	<p>Caravan Centre Cut D-Flector Stone Guard®</p> <p>Width : 2200mm Height : 500 mm Thickness : 25mm (Includes D-Flector Heavy Duty 24"x13" - 8mm Mudflaps)</p> <p>Carton Pack : 2240 x 600 x 80 15 Kg Net 18 Kg Gross</p> <p>Service Parts :</p> <p>Heavy Duty D-Flector Mudflap PN# MFP008-A Heavy Duty Mesh Cover PN# CVR003-B</p>	9333539025085
SERVICE PARTS		
CVR001 - B	Caravan Standard Heavy Duty Mesh Cover - 2200 mm x 500 mm 0.8 Kg Net	9333539025501
CVR003 - B	Caravan Centre Cut Heavy Duty Mesh Cover - 2200 mm x 500 mm 0.8 Kg Net	9333539025503
MFP008 - A	D-Flector Heavy Duty Mudflap 24"X 13" / 610mm x 330mm x 8 mm 1.6 Kg Net	9333539025408
MFP064 - A	D-Flector CARAVAN HD Mudflap 11"X 14" / 280mm x 355mm x 8 mm 1 Kg Net	9333539025464
UBT001 - A	U-BOLTS M12 W100xH180x50T Mild Steel Galvanised	9333539025521
UBT002 - A	U-BOLTS M12 W100xH155x50T Mild Steel Galvanised	9333539025522
REF001 - A	Reflector - White ADR Compliant 47/00	9333539025701




Caravan Standard D-Flector Stone Guard® 2200
DSG001-B-DF



Caravan Centre Cut D-Flector Stone Guard® 2200
DSG003-B-DF

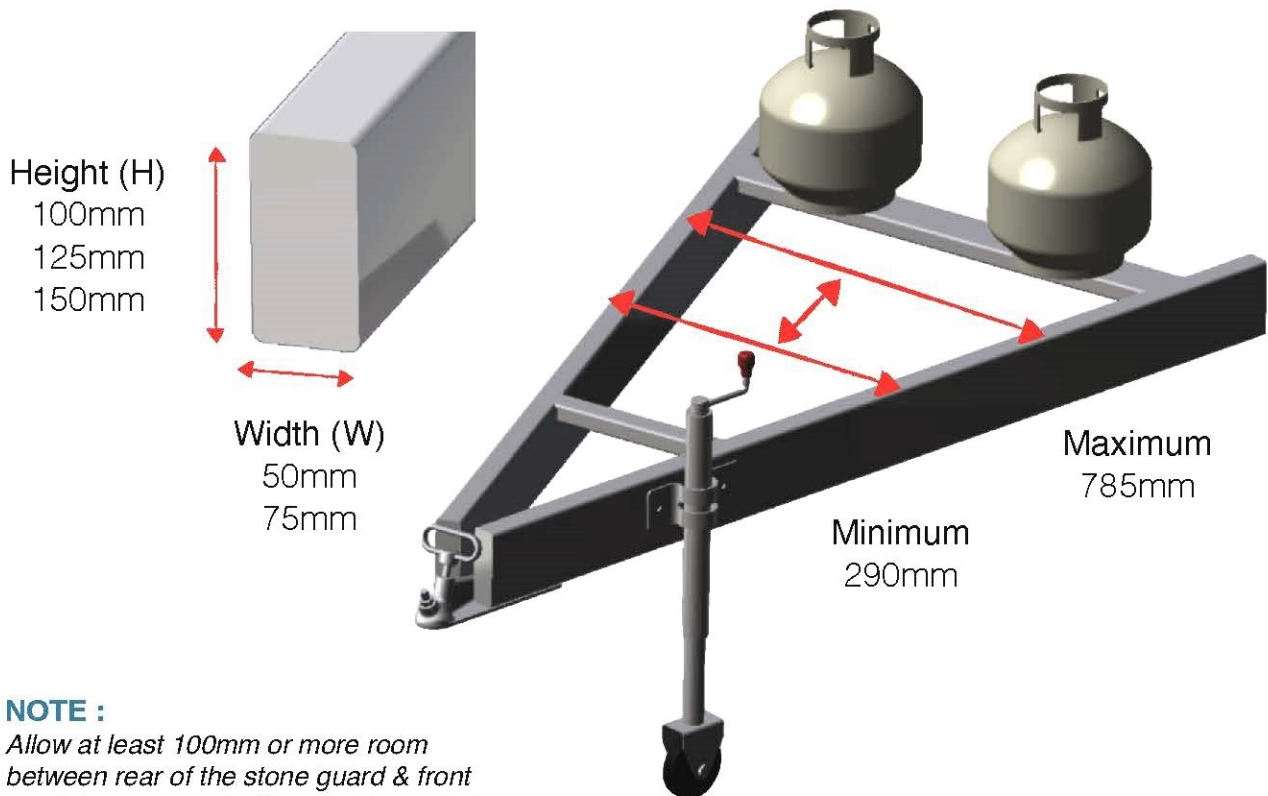


TRAILER

A FRAME / CHASSIS DIMENSIONS		CARAVAN		CAMPER	
		DSG001-B-DF STD. 2200 mm	DSG003-B-DF CTR CUT 2200 mm	DSG005-B-DF STD. 1800 mm	DSG021-A-DF STD. 1800 mm
Thickness / Width (W)	Length / Height (H)	Front U-BOLTS 			
50mm-75mm	50mm - 150mm	UBT-001-A (M12) W100 x H180 x 50T (Included in the kit)			
	50mm - 125mm	UBT-002-A (M12) W100 x H155 x 50T (To be purchased Separately)			



STONE GUARD A-FRAME/CHASSIS INSTALLATION RANGE



NOTE :

Allow at least 100mm or more room between rear of the stone guard & front most item eg. gas bottles, tool box, et al.



MAXWELL & HIGGS PTY LTD

A subsidiary of Zivor Australasia

ABN 70 849 548 389

CUSTOMER ADVISE

Dear Customer,

D-Flector Stone Guards® Genuine Accessories are designed specifically for prescribed applications, manufactured to the most stringent guidelines and are fully compliant to all legal and regulatory requirements in Australia.

This product guide includes current range of all genuine accessories manufactured by D-Flector Stone Guards® and is valid from the date of issue to such date until a product guide is issued.

Maxwell & Higgs is continuously engaged in designing, developing and manufacturing new products to add to our current range. In an event where a specific application or a particular accessory is not listed in this booklet, please feel to enquire with us at sales@d-flector.com.au, in all likelihood we might already have that accessory in our product development phase and our team should be able to advise the products indicative availability dates.

(E & OE) Errors and Omissions Excepted. Whilst every effort is made to ensure that the information provided in this booklet is true and error free, Maxwell & Higgs reserves the right to amend printing errors or incorrect information. In an event where inaccurate information results into serious consequences for our customer, Maxwell & Higgs promises to be fair and reasonable in providing any required assistance.

D-Flector Stone Guards® Genuine Accessories are designed for vehicles/trailers with universal build and specifications. Vehicle/trailer manufacturers may change or upgrade builds, resulting in accessory compatibility issues. Maxwell & Higgs advises to refer to technical information provided in this booklet to ensure the product is compatible with recommended fitment. You can always contact our product support team sales@d-flector.com.au for more specific and up to date information.

Thanks

D-Flector Stone Guards® Team

sales@d-flector.com.au

www.d-flector.com.au